

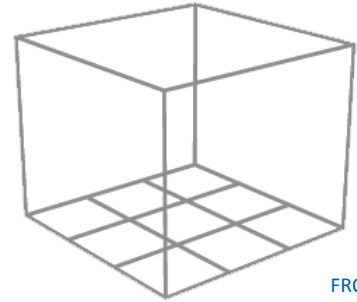
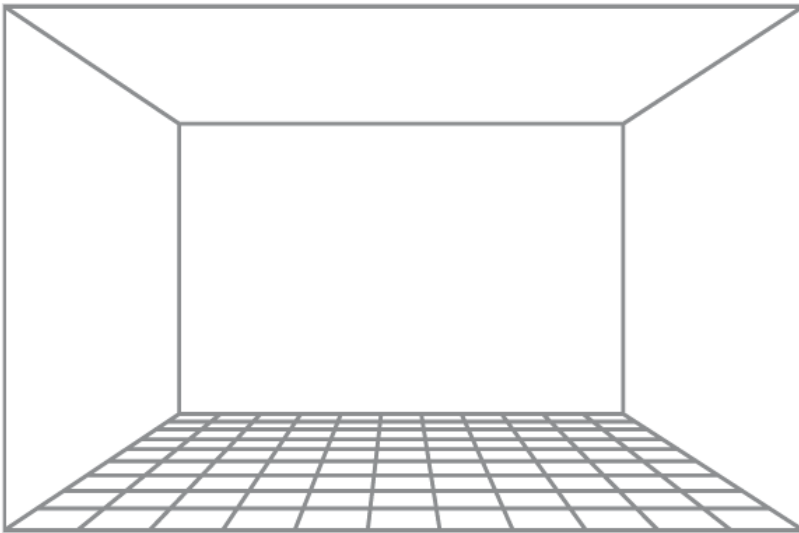
Furniture Order Form

Order online at harrythehirer.com.au
or complete form and fax to 03 9427 1637

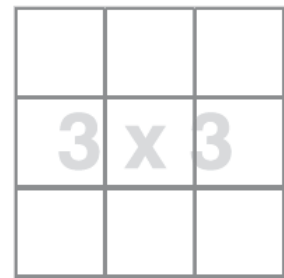
CLIENT DETAILS

Exhibition / Conference:	
Stand No:	Stand Dimensions:

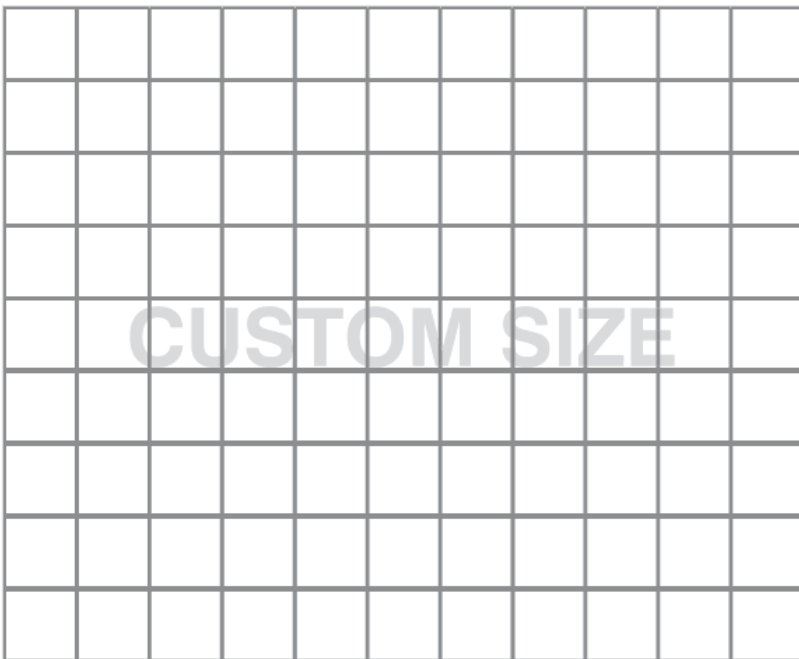
Please sketch your desired layout of furniture and fittings



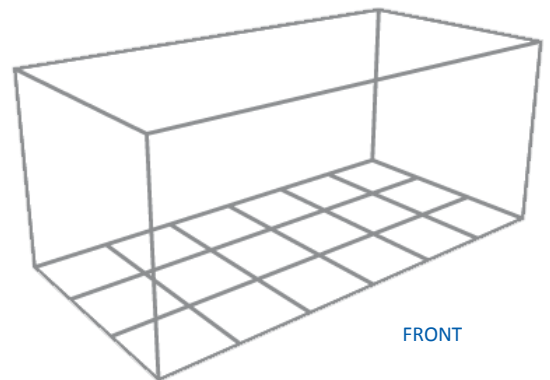
FRONT



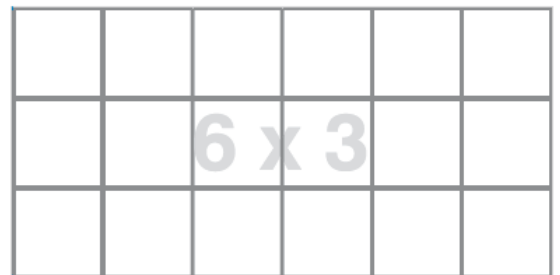
FRONT OF STAND



FRONT OF STAND



FRONT



FRONT OF STAND